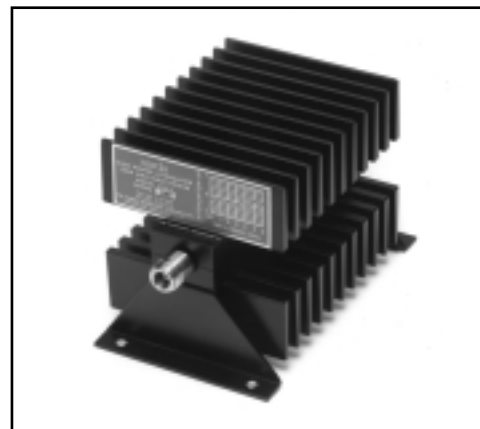


Attenuators

MEDIUM AND HIGH POWER ATTENUATORS

- Low Fin Temperature at Full Input Power
- Excellent Attenuation Stability Over Time
- Excellent Attenuation Stability Over Temperature
- Other Connector Options Available on Special Order



SPECIFICATIONS

High Power Attenuator with Type "N"*

FREQUENCY RANGE (MHz)	MODEL NO.**	ATTENUATION dB		POWER INPUT			CONNECTOR	VSWR (Max)	WEIGHT (Max)	
		NOMINAL	DEVIATION	AVG. W (Max)*** MALE PORT	FEMALE PORT	PEAK kW (Max)			Oz	Kg
DC-6000	769	3, 6, 10	±0.4	150	150	3	N	1.25:1	3.3	1.5
		20, 30	±0.5							

Medium Power Attenuators with Type "N" Connectors

FREQUENCY RANGE (MHz)	MODEL NO.**	ATTENUATION dB		POWER INPUT			CONNECTOR	VSWR (Max)	WEIGHT (Max)	
		NOMINAL	DEVIATION	AVG. W (Max)*** MALE PORT	FEMALE PORT	PEAK kW (Max)			Oz	Kg
DC-5000	765	3, 6, 10, 20	±0.30	50	50	2	N	1.20:1	15.5	7.2
DC-4000	766	3, 6, 10, 20	±0.25	20	20	1	N	1.10:1	5.28	.16

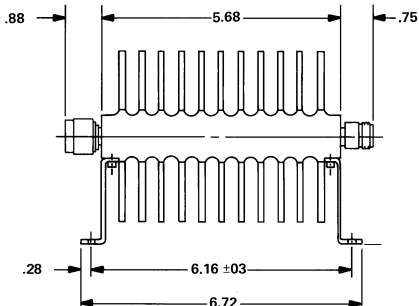
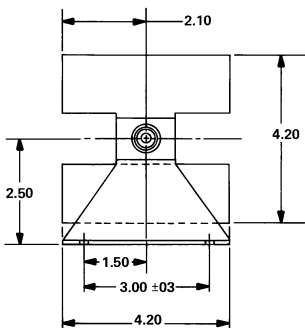
*Adapters from Type "N" to 7/16 are available (see page 46)

**State model number followed by attenuation (e.g., XXX-3 for 3 dB attenuator). Standard values are 3, 6, 10, 20, 30 dB

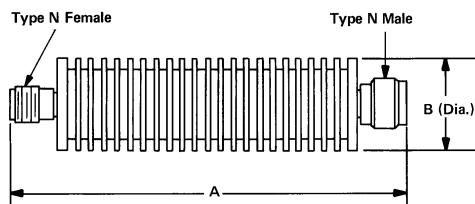
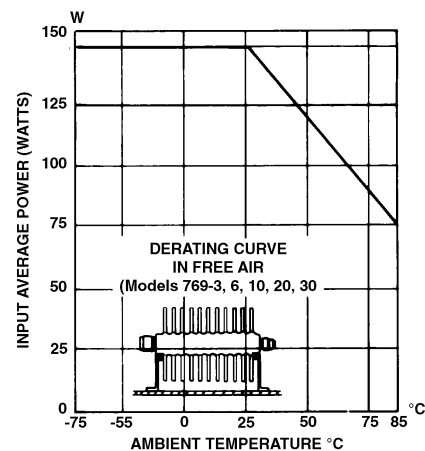
***Power rating for operation at +22°C, derate linearly to zero (0) W at +125°C.

Attenuators

OUTLINE DRAWINGS



769



MODEL NO	A MAX	B MAX
765	6.99	1.64
766	3.07	1.52